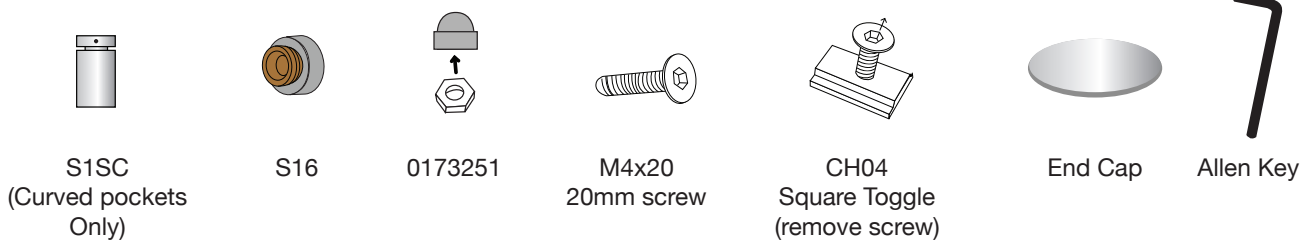


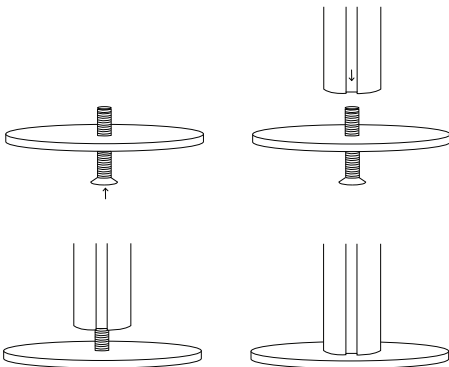
Installing a Freestanding Panel

PLEASE CHECK YOU HAVE ALL THE SMALL COMPONENTS FROM THE PACKING LIST BEFORE YOU START.

Components:



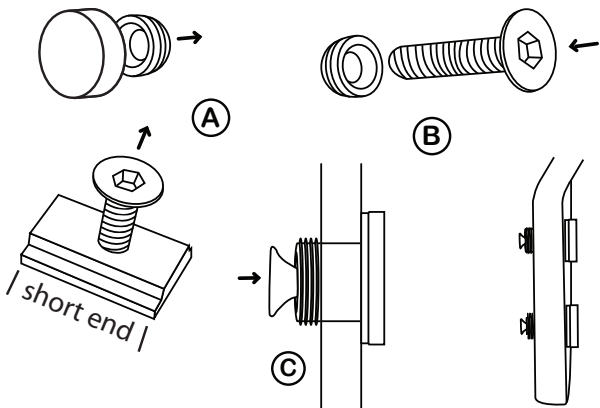
1.



1. Assembling the Feet

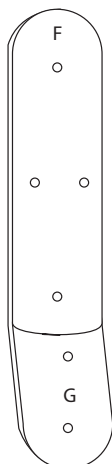
a. One end of the upright will have a large counter sunk screw which should be removed and passed through the countersunk hole in the foot. While inserted through the foot attach to the threaded upright and tighten with the allen key provided.

2.



2. Assembling the Bracket

a. Remove the screw from the aluminium square toggle and through away (A 20mm screw has been provided in the kit to replace the one that you just threw away).
 b. Remove the thread from the S16.
 c. Pass the new 20mm screw for the toggle through the thread from the S16.
 d. Then pass this through the short end of the bracket as shown in the diagram (DO NOT TIGHTEN).
 e. Repeat for the second leg.



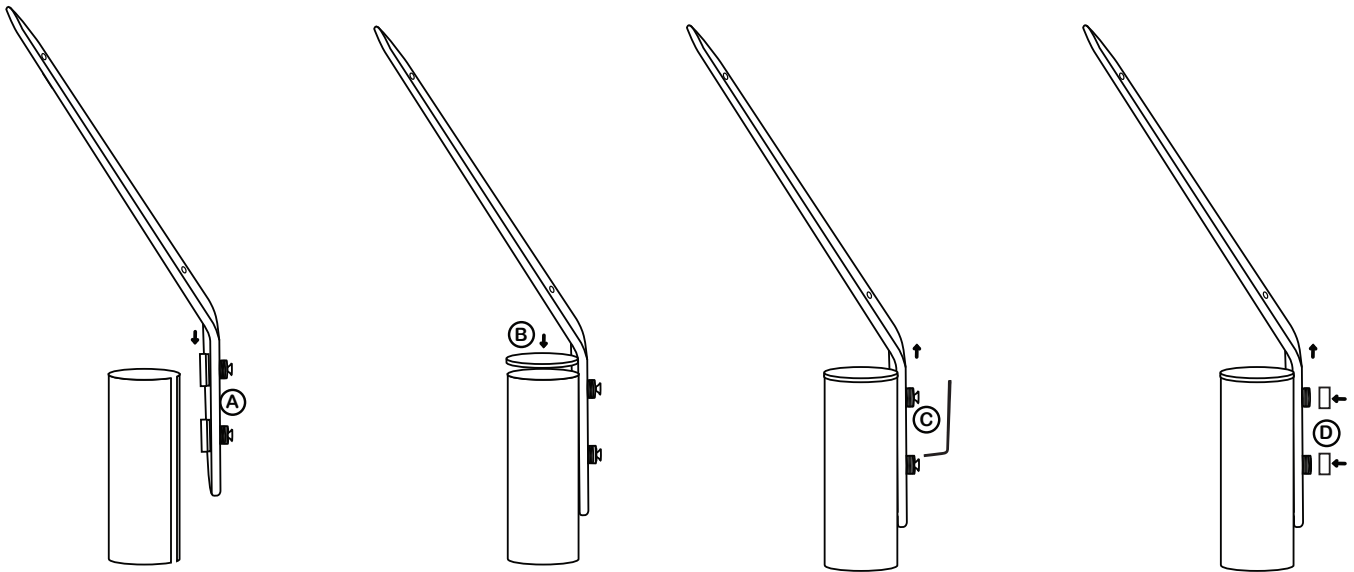
N.B

F. Top/Long end of the bracket (4 holes), fits to the panel.

G. Bottom/Short end of the bracket (2 holes), fits to the leg.

3. Attaching to the upright.

- Slide the toggles on the bracket into the top of the upright.
- While the toggles are still loose in the upright, fit the end cap to the top of the profile.
- Lift the bracket up until the toggle hits the top of the cap and tighten the grub screw in the S16 with the allen key.
- Fit the decorative cover.



4. Fixing the Display Panel to the Bracket

- Remove the thread from the S16.
- As performed previously, pass the screw through the thread and then through the display panel.
- Then pass this through the bracket.
- Attach the nuts and tighten.
- Then add the decorative grey plastic caps.

